

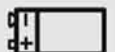


THE PROFESSIONAL 48" GRILL

Parts List



MODEL:
BGA48-BQARN
PRODUCT CODE:
70170



PRODUCT

Brand	DCS
Voltage	110V 60HZ
Model	BGA48-BQARN
Product Code	70170

Fisher & Paykel Appliances
5900 Skylab Road, Huntington Beach,
CA 92647
Customer Care: (888) 281-5698
Fax: (714) 372-7003
www.dcsappliances.com
support@dcsappliances.com

CONTENTS

GRILL BURNER COMPONENTS 6

GRILL BODY COMPONENTS 8

ROTISSERIE COMPONENTS 10

SMOKER BURNER COMPONENTS 12

CART COMPONENTS 14

GUIDE TO USING THIS MANUAL

The model covered by this manual is listed on the front cover.

The information detailed in this manual is subject to change without notice. The latest version is indicated by the reprint date and replaces any earlier editions.

The front cover picture shows the type of product and may not necessarily be an exact image of the model covered by the manual.

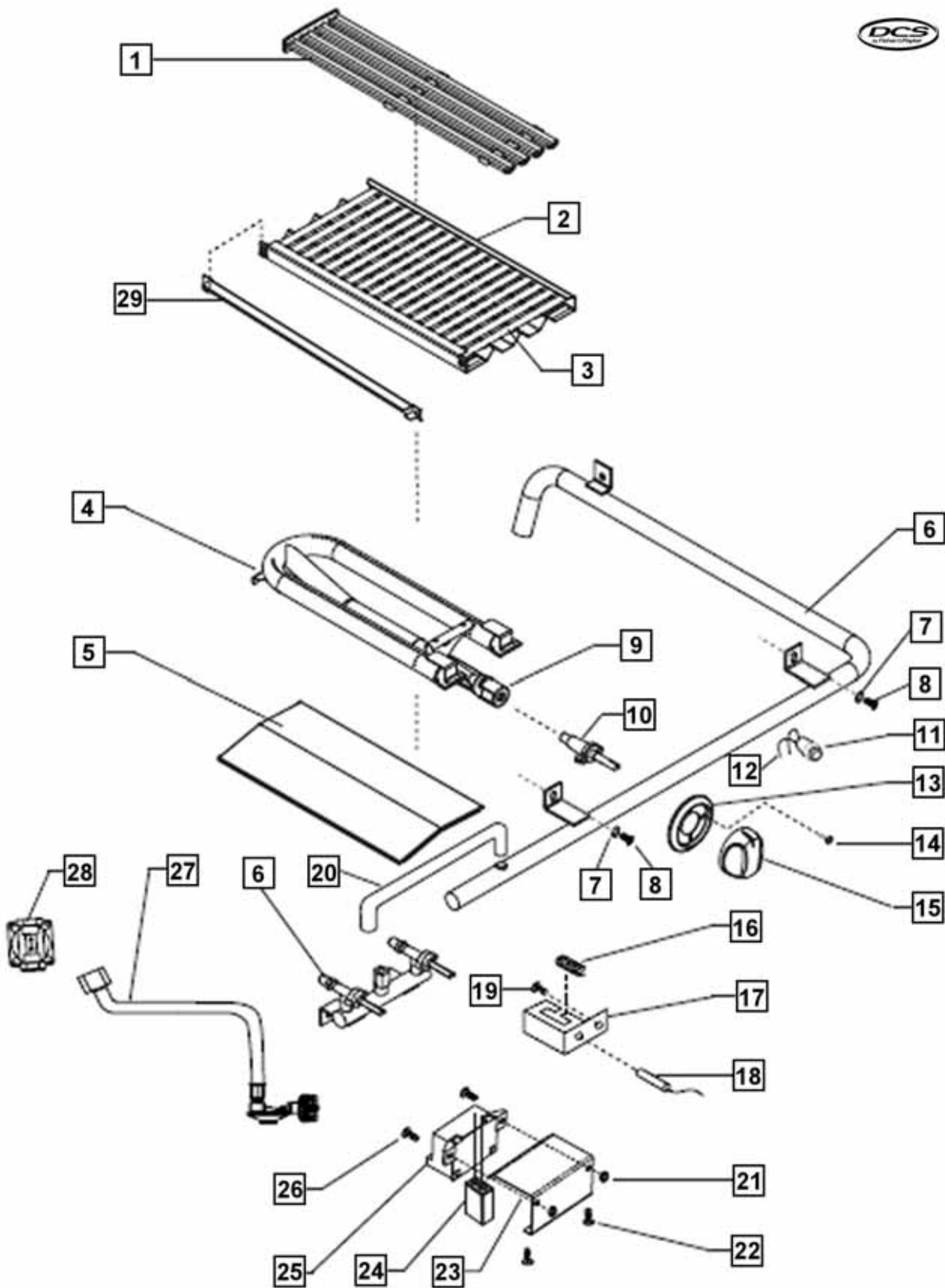
Kit Parts

Kit components are shown in *italics*. Where a part number is shown against the descriptions for these kit components, they are also available as separate items. In addition, some parts may be supplied with these kits that are not available as separate items, and are therefore either not listed, or a part number is not shown against the part description in this manual.

Parts List Key

<i>italics</i>	Kit components or parts included are shown in <i>italics</i> . Refer to above notes: Kit Parts.
NI	As a part reference, indicates the part is not illustrated on the diagram.
NOT USED	As a part number, indicates the diagram part reference is not used in this manual.

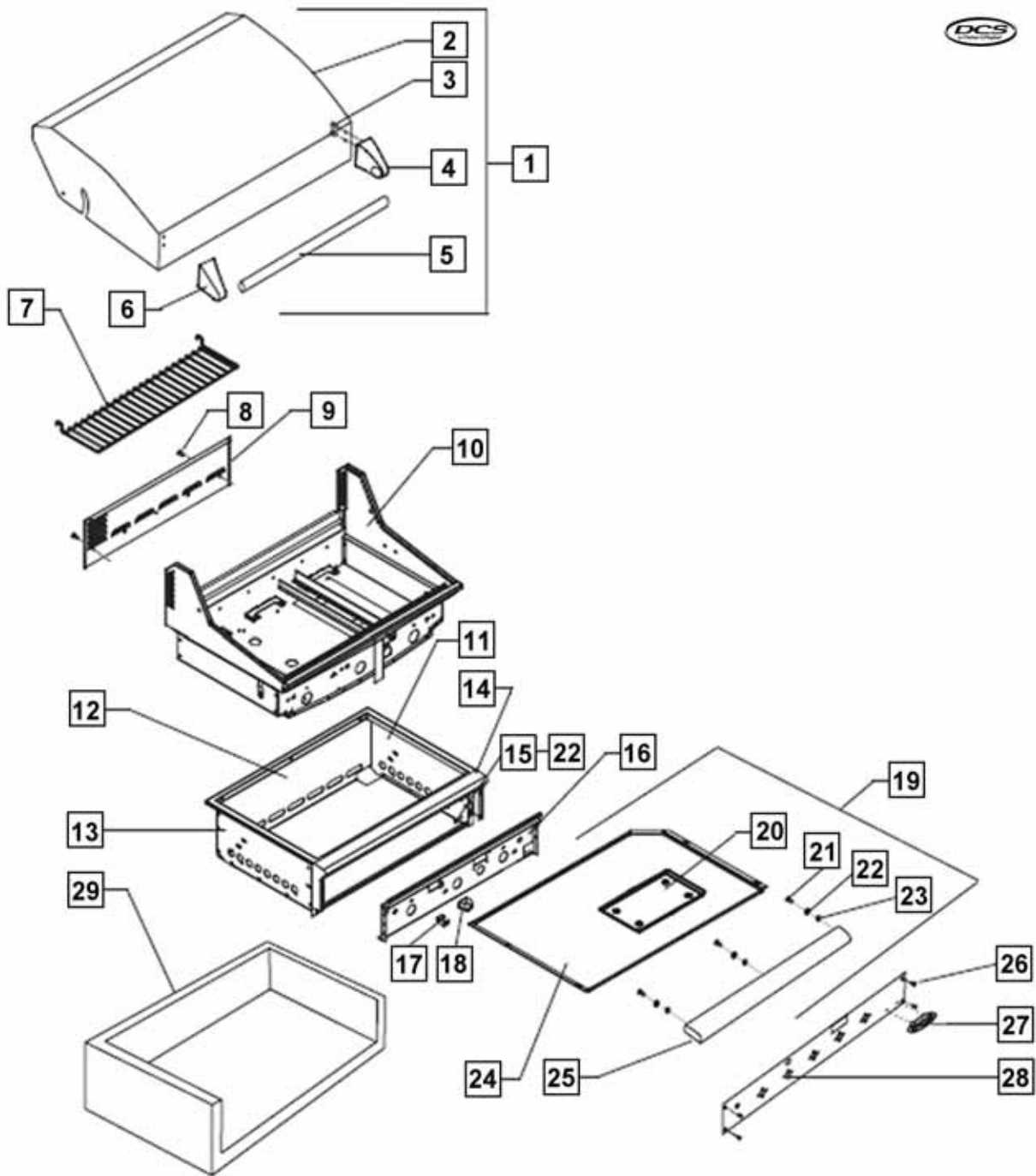
GRILL BURNER COMPONENTS



GRILL BURNER COMPONENTS

REF	PART	DESCRIPTION
1	212341	GRATE BGA GRILLS
2	213997	RADIANT BGA
3	214006P	CERAMIC ROD 9.5 (PKD)
4	212362	TUBE BURNER BBQ 27/36/48 BGA
5	214569	HEAT SHIELD FIRE BOX
6	221901	MANIFOLD 48 BQAR
7	211368P	WASHER FLT SS .250X.750 (10 PK)
8	211328	HEX BLT 1/4-20X3/4 FULL TH SS
9	243880	AIR SHUTTER, SCREW TUBE BURNER
10	210733	GAS ON/OFF VALVE O.D. B.B.Q
11	212336	SWITCH IGNITER SNAP-ON
12	211825	WIRES BK W/TERMINALS 40 INCH
13	210935	BEZEL, CHROME PLATED
14	211248	SMS 6-32X3/8 PH PN TY F SS
15	211188	KNOB BGB GRILLS
16	217535	WIRE COIL SERVICE ONLY
17	214293	COLLECTOR BOX BG
18	211717	ELECTRODE BURNER 14.5 LONG
	211719	ELECTRODE 35.0 LONG
	211720	ELECTRODE 45.0 LONG
	211721	BURNER ELECTRODE 20 LONG
19	211242P	MS 10-24X1/2 PHPN TY F SS (10 PK)
20	224669	TUBING MANIFOLDS CONNECTOR
21	211480	NUT 8-32 KEPS SS
22	211236	SM 10X3/8 PH TR HD TY AB NI
23	214297	ENCLOSURE IGNITER MOD ELT 6/8
24	212337	BATTERY ALKALINE 9V
25	212334	BATTERY IGN MODULE 9V ELTEC 6
26	211295	MS 8-32X1/2 PH TR HD SS
27	239862P	REGULATOR & HOSE ASSY PKD
28	210765P	REGULATOR - 4.0 WC PKD
29	214046	END CAP RADIANT BGA

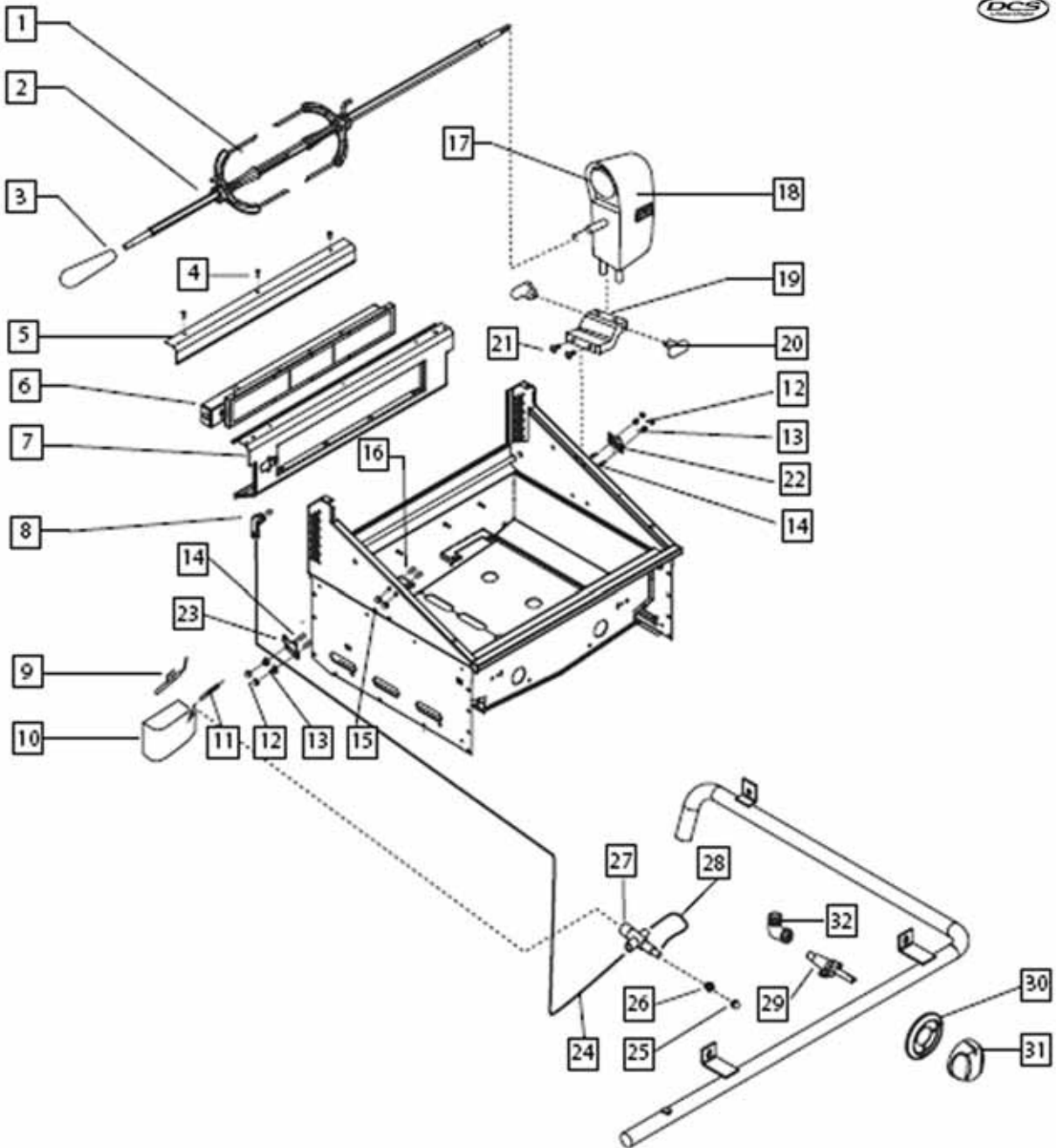
GRILL BODY COMPONENTS



GRILL BODY COMPONENTS

REF	PART	DESCRIPTION
1	214349	LID ASSY BGA48
2	214351	LID W/A BGA48
3	211323P	HEX 1/4-20X1/2 FUL TH SS (10 PK)
4	212342	END CAP LID HANDLE R/H
5	215068	TUBE 46 HIGH SHELF
6	212343	END CAP LID HANDLE L/H
7	214031	WARMING RACK ST/STL 4 BURNERS
8	211242P	MS 10-24X1/2 PH PN TY F SS (10 PK)
9	214571	SERVICE PANEL BGA48 BQAR
10	214343	FIRE BOX W/A 48
11	214337	SIDE GRILL BOX W/A R/H BGA
12	224542	BOTTOM/BACK BGA 48 BQAR
13	214338	SIDE GRILL BOX W/A L/H BGA
14	214324	LANDING LEDGE W/A BGA48
15	211090	RACK ROLLER VERTICAL
16	214345	FRONT BAFFLE BGA48 BQAR
17	224664	SAFETY VALVE BOX BGA
18	214572	SHIELD SMOKER VALVE
19	214336	DRIP PAN ASSY BGA48
20	214289	GREASE CAN
21	237354	MS 10-24X3/8 PH TR HD SS (10 PK)
22	218150	NUT HEX 10-24 KEPS SS (10 PK)
23	211352P	NUT HEX 10-24 SS (10 PK)
24	214287	DRIP PAN
25	214288	HANDLE DRIP PAN 48
26	211300P	SCREW 8-32X1 TORX FL HD (10 PK)
27	211997	LOGO, DCS, 3 1/8
28	214334	VALVE PANEL BGA48 BQAR PTD
29	70172	JACKET STAINLESS STL BGA48

ROTISSERIE COMPONENTS



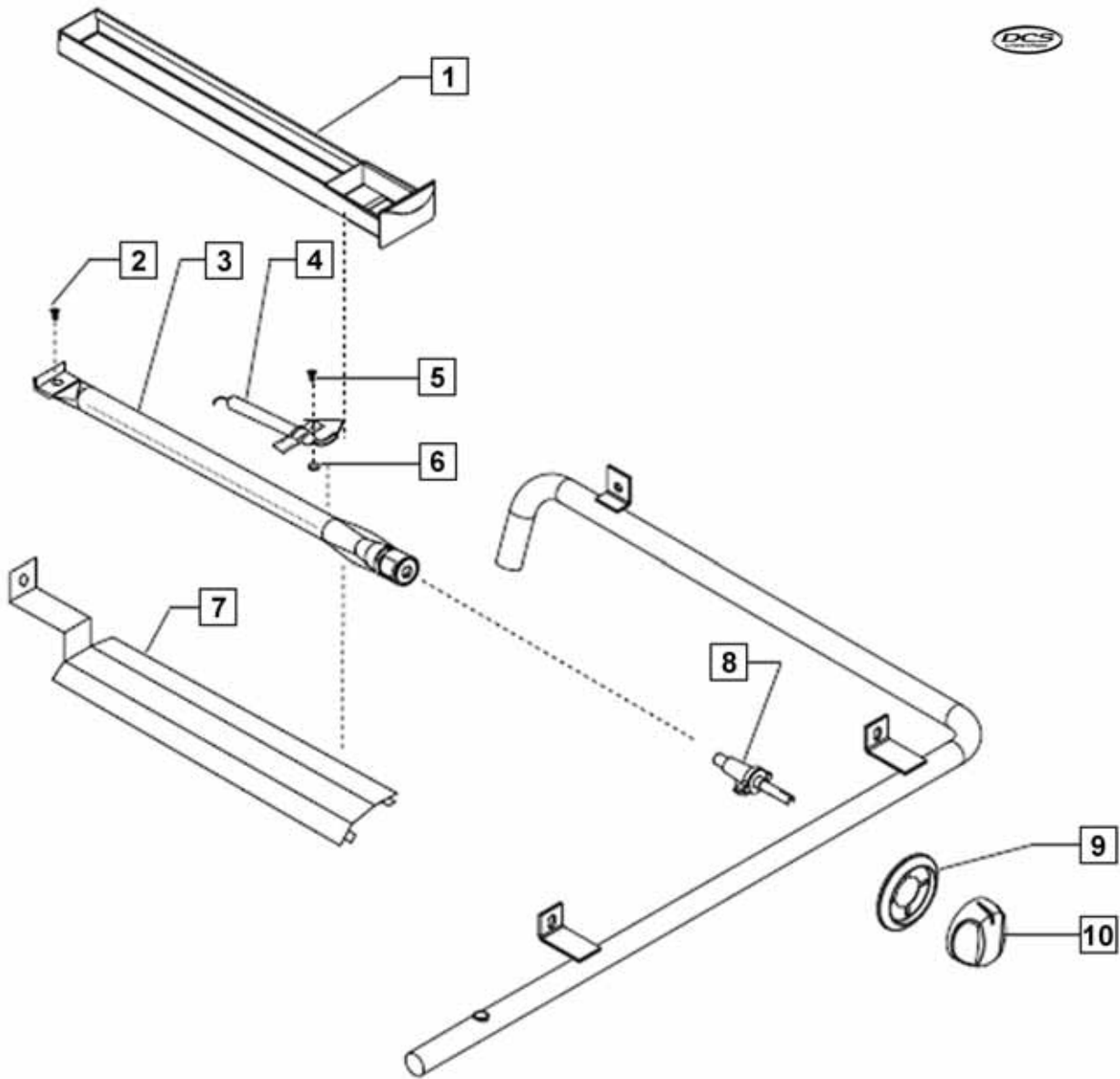
DWG000610 5 JULY 2006

ROTISSERIE COMPONENTS

REF	PART	DESCRIPTION
1	212340	FORK ROTISSERIE
2	212920	ROTISSERIE ROD BGA48 BQAR
3	212163	HANDLE - ROTIS ROD
4	218132	MS 10-24X1/2 PH TR TY23 SS (10 PK)
5	225050	I/R PROTECTION PLATE PORC 48
6	210620	I/R BURNER BGA48 BQAR
7	225055	WRAPPER I/R BURNER BGA48
8	212268	ELBOW 90 ORIFICE PLUG TYPE
9	211832	ELECTRODE I/R BURNER
10	213784	ELECTRODE HOUSING W/A L/H
11	210721	THERMOCOUPLE 2C ROBERTSHAW 72
12	211389	ACORN NUT 10-24 SS LOCKING
13	211089	RACK ROLLER
14	211242P	MS 10-24X1/2 PH PN TY F SS (10 PK)
15	211390	ACORN NUT LOCKING 1/4-20 SS
16	211328	HEX BLT 1/4-20X 3/4 FULL TH SS
17	211686	BULB-GE-50 PAR20
18	214373	MOTOR ASSY R/H
	224644	MOTOR ASSY L/H
19	211046	ROTISS BLOCK
20	211051	ROTISS MOUNTING ARM
22	214374	BRACKET ROTISS SUPPORT R/H
23	214375	BRACKET ROTISS SUPPORT L/H
24	224667	TUBING SAFETY VALVE TO I/R R/H
25	211001	BUTTON SAFETY VALVE
26	211050	BEZEL SAFETY VALVE
27	216579	SAFETY VALVE/FITTING ASSY
28	213620	TUBING MAN,TO SAFETY VALVE R/H
29	210733	GAS ON/OFF VALVE O.D. B.B.Q
30	210935	BEZEL, CHROME PLATED
31	211188	KNOB BGB GRILLS

NOTE: FASTENER FOR ROTIS BLOCK USE PART # 220802 HEX BOLT AND # 237190 FLANGE BUSHING.

SMOKER BURNER COMPONENTS

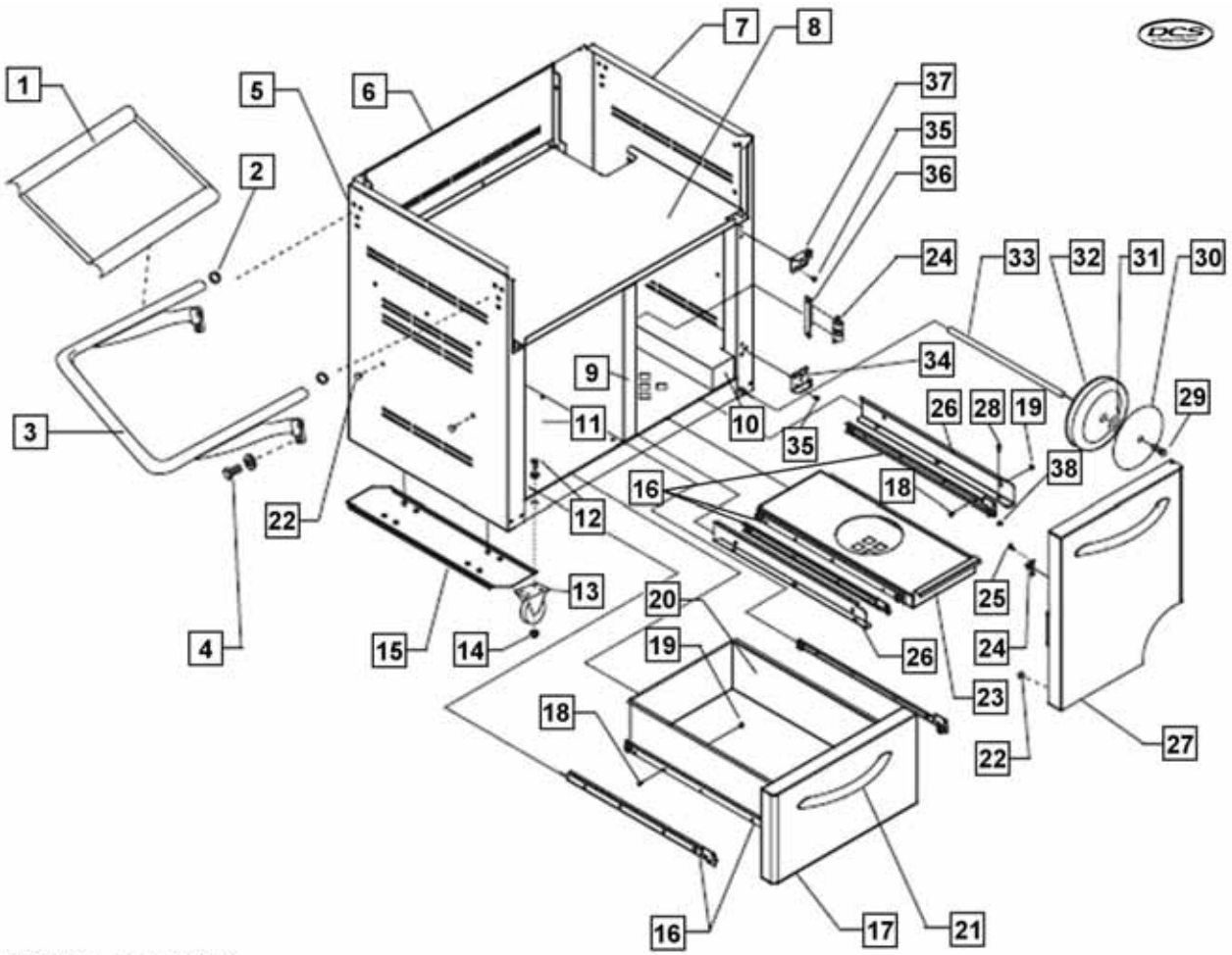


DWG000611 5 JULY 2006

SMOKER BURNER COMPONENTS

REF	PART	DESCRIPTION
1	214331	CHIP TRAY W/A
2	211242P	MS 10-24X1/2 PH PN TY F SS (10 PK)
3	213467	ASSY. WELDMENT, SMKR BRNK.
4	211834	ELECTRODE SMOKER
5	211301	MS 4-40X1/4 PH RD HD SS
6	211358	NUT HEX 4-40 SS
7	214010	HEAT SHIELD SMOKER SUPPORT
8	210734	GAS VALVE 24 & SMOKER
9	210935	BEZEL, CHROME PLATED
10	211188	KNOB BGB GRILLS

CART COMPONENTS



CART COMPONENTS

REF	PART	DESCRIPTION
1	214466	SIDE SHELF TRAY
2	211099	BLACK PLUGS
3	212287	SIDE SHELF BAR
4	211323P	HEX 1/4-20X1/2 FUL TH SS (10 PK)
5	214292	BODY SIDE PANEL L/H
6	224385	BACK CART BGA48
7	224393	BODY SIDE PANEL R/H
8	224392	DOOR HEADER BGA48
9	224380	DIVIDER CART BGA48
10	214464	SLIDE BRACKET 2
11	224616	FRAME W/A CART BGA48
12	211487	1/4-20X1/2 SS CARRIAGE BOLT
13	212142	CASTER W/O BRAKE 5
	212143	CASTER W. BRAKE 5
14	211398P	NUT HEX 1/4-20 KEPS SS (10 PK)
15	214526	CASTER STIFFENER 36/48
16	211097	MOUNT SLIDE SET
17	214364	FRONT DRAWER SKIN W/A BGA48
18	211307	MS 8-32X3/8 FL C'SUNK PH SS
19	211353	NUT HEX 8-32 LK NYLON INDT SS
20	214361	DRAWER BOX W/A BGA48 CART
21	212375	HANDLE CART BGA36/48
22	212359	RUBBER BUMPER
23	214357	TANK TRAY ASSY CART BGA36/48
24	211098	DRAWER CATCH (M22 2430)
25	211300P	SCREW 8-32X1 TORX FL HD (10 PK)
26	214290	SLIDE MOUNTING FRAME BGA R/H
	214291	SLIDE MOUNTING FRAME BGA L/H
27	214359	DOOR ASSY CART BGA48
28	211290P	MS 10-24X1/2 PH TRHD SS (10 PK)
29	211303P	8-32X5/8 SS TORX FL HD (10 PK)
30	214477	HUB CAP SPINING
31	212308	PUSH ON NUT #500016 SOH
32	212303	WHEEL 8 SOLID
33	214422	AXLE ROD
34	214563	HINGE BOTTOM W/A R/H BGA CART
35	211287P	MS 10-24X 3/4 PH TR HD SS (10 PK)
36	214356	CATCHER DOOR BRACKET BGA36
37	214576	HINGE TOP W/A R/H BGA48
38	218150	NUT HEX 10-24 KEPS SS (10 PK)
NI	241204	KIT, CART EDGE TRIM