



# THE PROFESSIONAL 36" BGB GRILL

## Parts List



**MODEL:**  
BGB36-BQARN  
**PRODUCT CODE:**  
70006





## PRODUCT

<b>Brand</b>	DCS
<b>Voltage</b>	110V 60HZ
<b>Model</b>	BGB36-BQARN
<b>Product Code</b>	70006

**Fisher & Paykel Appliances**  
5900 Skylab Road, Huntington Beach,  
CA 92647  
Customer Care: (888) 281-5698  
Fax: (714) 372-7003  
[www.dcsappliances.com](http://www.dcsappliances.com)  
[support@dcsappliances.com](mailto:support@dcsappliances.com)



# CONTENTS

GRILL BURNER COMPONENTS .....	6
GRILL BODY COMPONENTS .....	8
ROTISSERIE COMPONENTS.....	10
SMOKER BURNER COMPONENTS.....	12
CART COMPONENTS.....	14

## GUIDE TO USING THIS MANUAL

The model covered by this manual is listed on the front cover.

The information detailed in this manual is subject to change without notice. The latest version is indicated by the reprint date and replaces any earlier editions.

The front cover picture shows the type of product and may not necessarily be an exact image of the model covered by the manual.

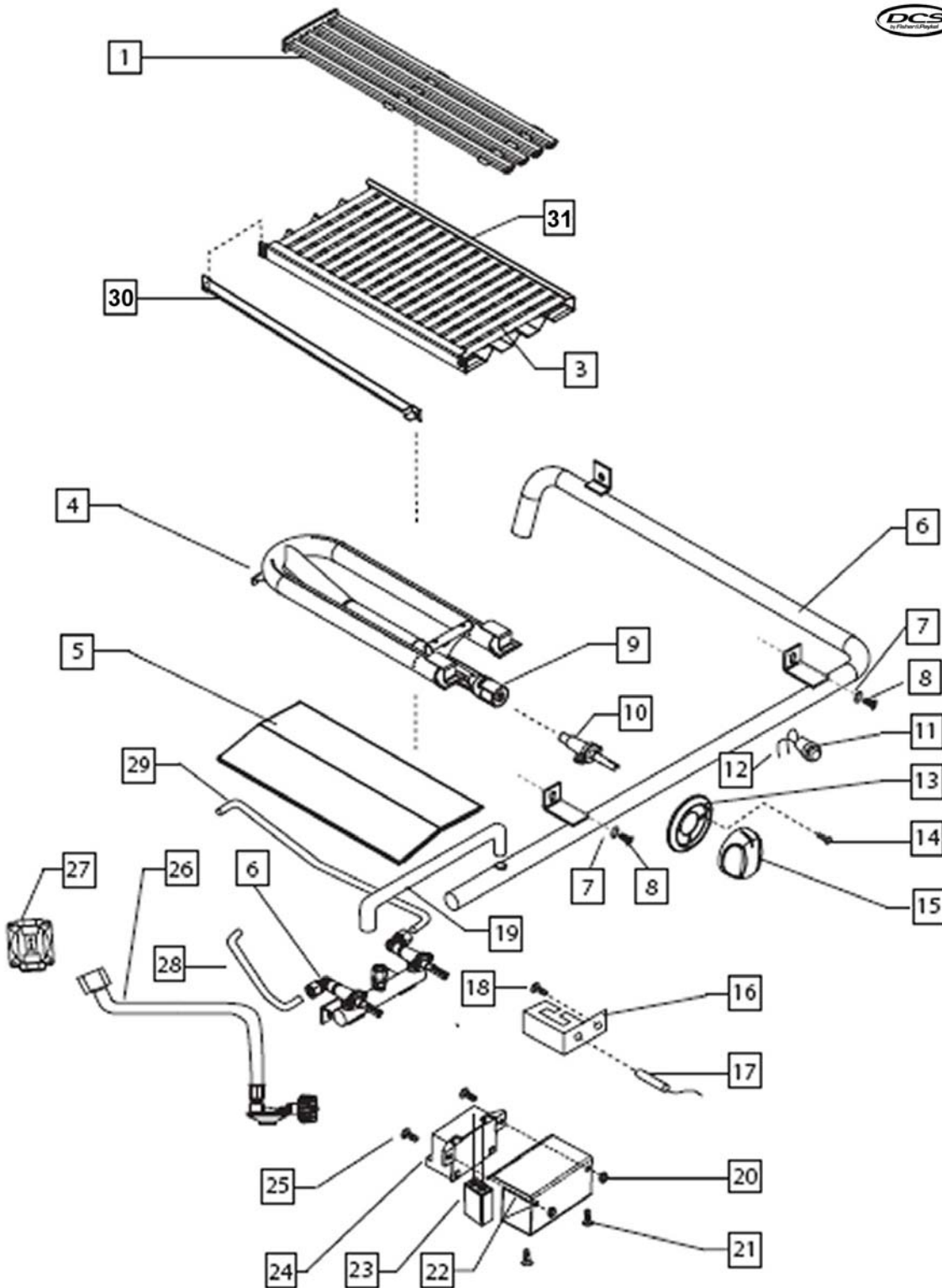
### Kit Parts

Kit components are shown in *italics*. Where a part number is shown against the descriptions for these kit components, they are also available as separate items. In addition, some parts may be supplied with these kits that are not available as separate items, and are therefore either not listed, or a part number is not shown against the part description in this manual.

### Parts List Key

<i>italics</i>	Kit components or parts included are shown in <i>italics</i> . Refer to above notes: Kit Parts.
NI	As a part reference, indicates the part is not illustrated on the diagram.
NOT USED	As a part number, indicates the diagram part reference is not used in this manual.

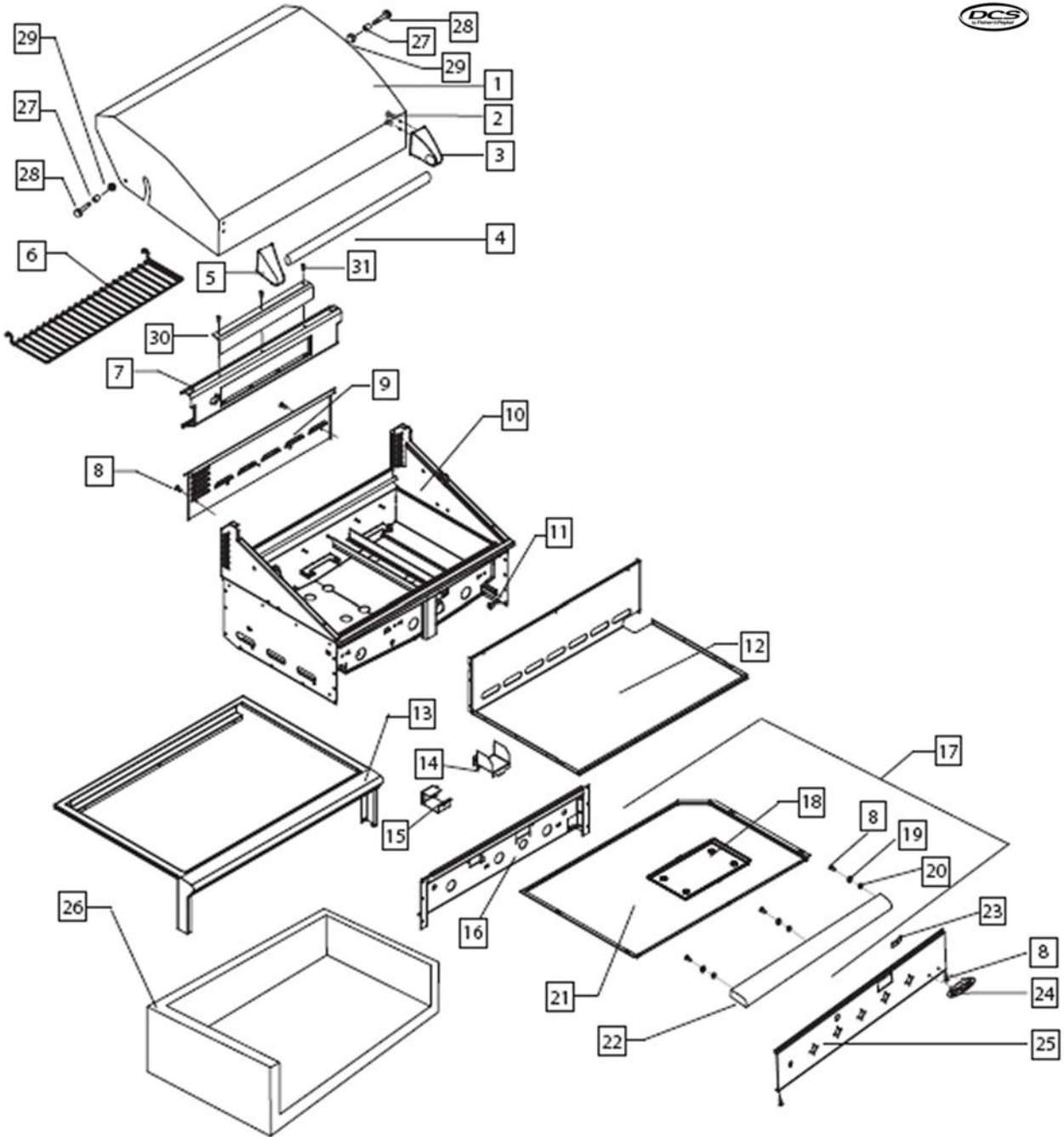
# GRILL BURNER COMPONENTS



## GRILL BURNER COMPONENTS

REF	PART	DESCRIPTION
1	212341	GRATE BGA GRILLS
3	214006	CERAMIC ROD 9.50
4	212362	TUBE BURNER BBQ 27/36/48 BGA
5	214569	HEAT SHIELD FIRE BOX
6	237806	MANIFOLD ASSY BGB 36
7	211368P	WASHER FLT SS .250X.750 (10 PK)
8	211328	HEX BLT 1/4-20X3/4 FULL TH SS
9	243880	AIR SHUTTER, SCREW TUBE BURNER
10	220574	GAS VALVE BBQ
11	212336	SWITCH IGNITER SNAP-ON
12	211824	WIRES BK WITH TERMINALS 7 INCH
13	210935	BEZEL, CHROME PLATED
14	211248	SMS 6-32X3/8 PH PN TY F SS
15	211188	KNOB BGB GRILLS
16	214293	COLLECTOR BOX BG
17	211717	ELECTRODE BURNER 14.5 LONG
	211719	ELECTRODE 35.0 LONG
	211720	ELECTRODE 45.0 LONG
	211721	BURNER ELECTRODE 20 LONG
18	211242P	MS 10-24X1/2 PHPN TY F SS (10 PK)
19	224669	TUBING MANIFOLDS CONNECTOR
20	211480	NUT 8-32 KEPS SS
21	211236	SM 10X3/8 PH TR HD TY AB NI
22	214417	ENCLOSURE IGNITER MOD ELT BGA
23	212337	BATTERY ALKALINE 9V
24	212334	BATTERY IGN MODULE 9V ELTEC 6
25	211295	MS 8-32X1/2 PH TR HD SS
26	210819P	90 DEG/HOSE ASSY QCC-1 PKD
27	210765P	REGULATOR - 4.0 WC PKD
28	221956	TUBING BACK BURNER BGB131/132
29	212399	TUBING FRONT BURNER BGB131/132
30	214046	END CAP RADIANT BGA
31	213997	RADIANT BGA

# GRILL BODY COMPONENTS



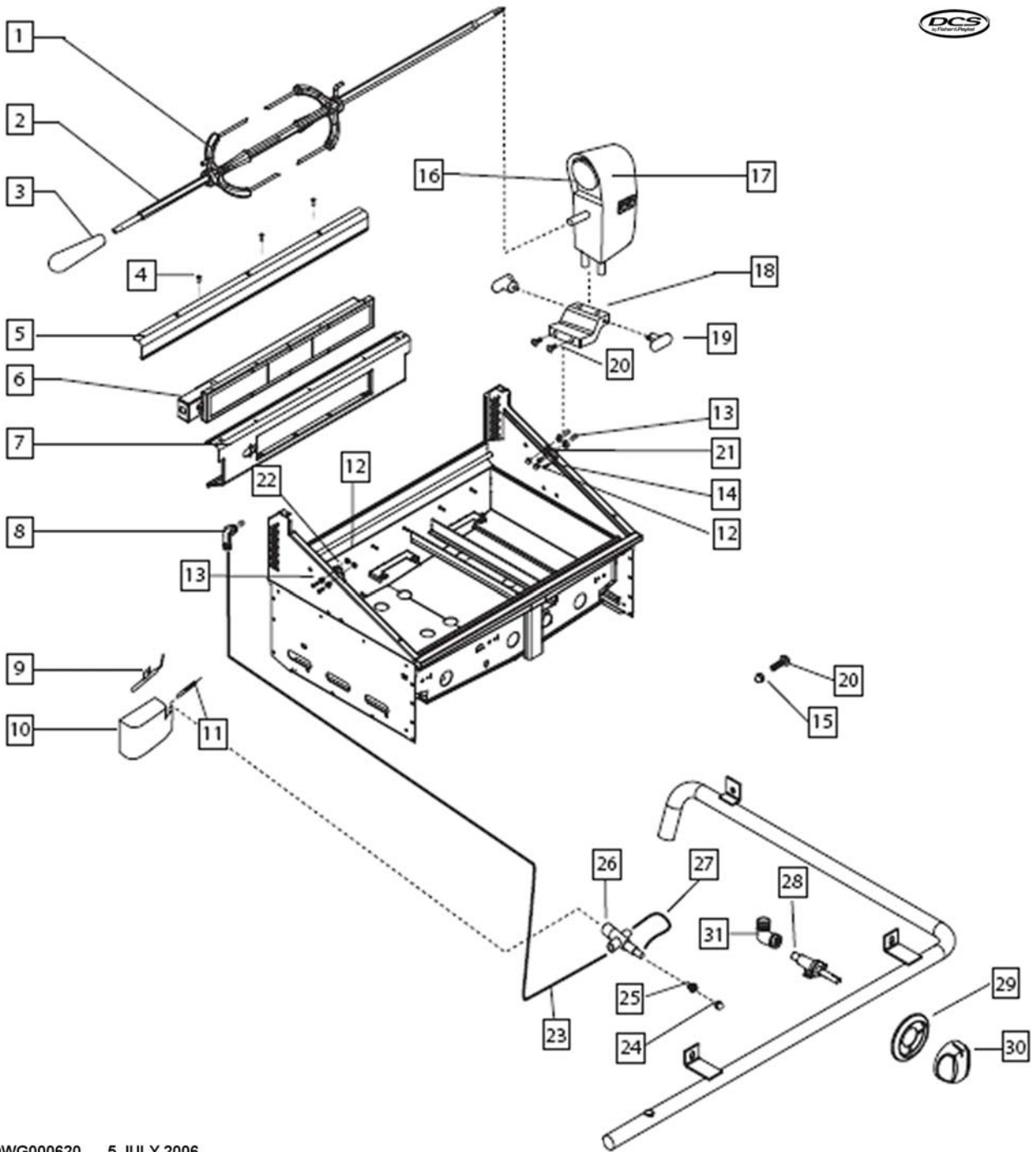
DWG000618 6 JULY 2006



**GRILL BODY COMPONENTS**

<b>REF</b>	<b>PART</b>	<b>DESCRIPTION</b>
1	214404	LID W/A BGB36
2	211323P	HEX 1/4-20X1/2 FUL TH SS (10 PK)
3	212342	END CAP LID HANDLE R/H
4	215070	TUBE 36 OVEN DOOR
5	212343	END CAP LID HANDLE L/H
6	214030	WARMING RACK ST/STL 3 BURNERS
7	224759	WRAPPER I/R BURNER BGB36
8	211242P	MS 10-24X1/2 PHPN TY F SS (10 PK)
9	224760	SERVICE PANEL BGB36
10	214407	FIRE BOX W/A BGB36
11	211090	RACK ROLLER VERTICAL
12	224751	BOTTOM BURNER BOX BGB36
13	214396	LANDING LEDGE W/A BGB36
14	214572	SHIELD SMOKER VALVE
15	224664	SAFETY VALVE BOX BGA
16	224756	FRONT BAFFLE BGB36
17	224783	DRIP PAN ASSY BGB36
18	214289	GREASE CAN
19	218150	NUT HEX 10-24 KEPS SS (10 PK)
20	211352P	NUT HEX 10-24 SS (10 PK)
21	214405	DRIP PAN BGB36
22	214406	DRIP PAN HANDLE BGB36
23	211419P	LOGO - CLIP (2 PK)
24	211997	LOGO, DCS, 3 1/8
25	214401	VALVE PANEL BGB36 BQAR PTD
26	70167	JACKET STAINLESS STL BGA36
27	223810	SPACER LID 36/48 BQ
28	211441	BLT SHLDR .375X1.25X5/16-1
29	211387	ACORN NUT 5/16-18 DEFLECTED
30	225051	I/R PROTECTION PLATE PORC 36
31	218132	MS 10-24X1/2 PH TR TY23 SS (10 PK)

# ROTISSERIE COMPONENTS



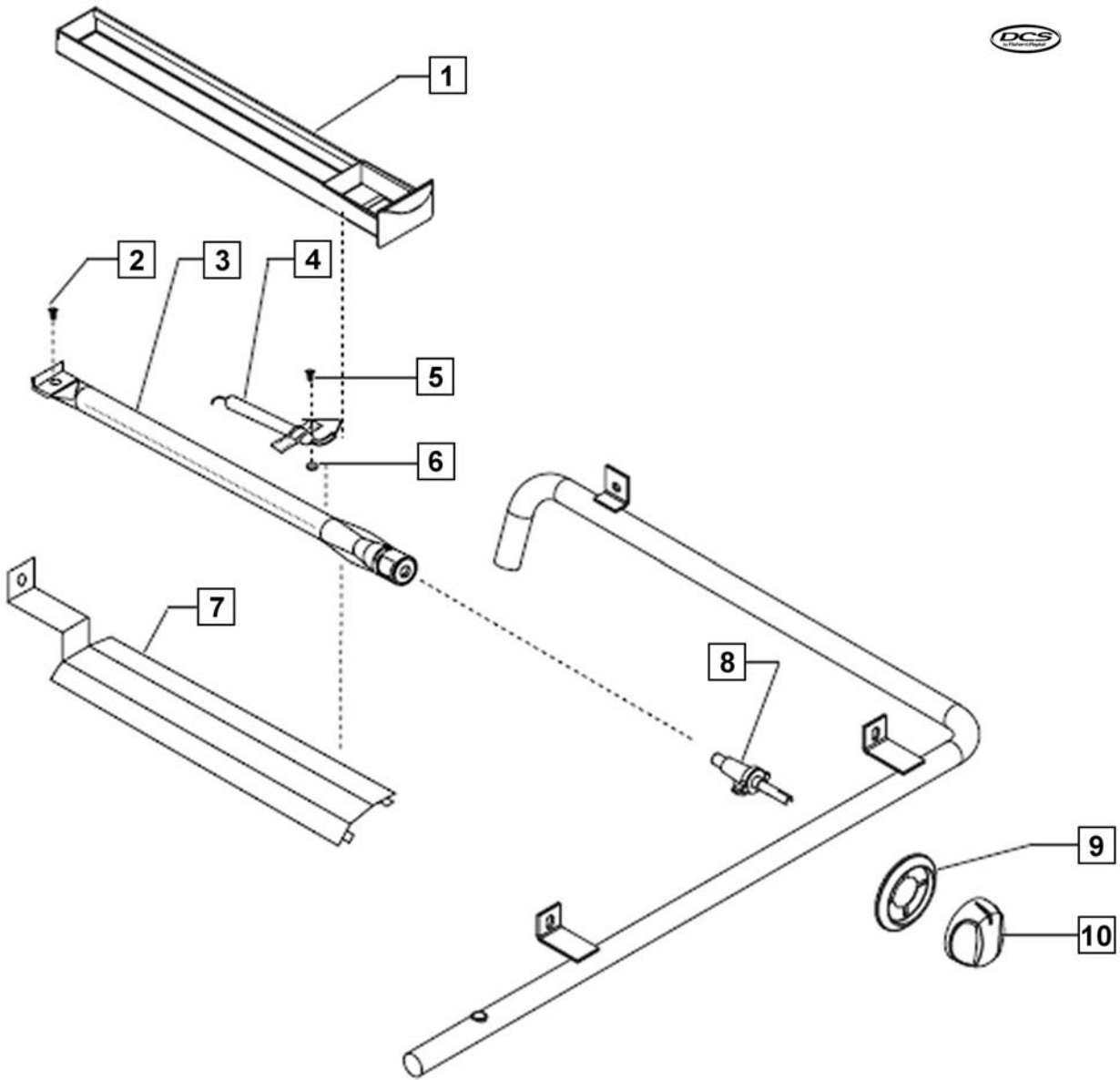
DWG000620 5 JULY 2006

## ROTISSERIE COMPONENTS

REF	PART	DESCRIPTION
1	212340	FORK ROTISSERIE
2	212930	ROTISSERIE ROD BGB36 BQAR
3	212163	HANDLE - ROTIS ROD
4	218132	MS 10-24X1/2PH TR TY23 SS (10 PK)
5	225051	I/R PROTECTION PLATE PORC 36
6	210357	I/R BURNER-27/48BBQ
7	224759	WRAPPER I/R BURNER BGB36
8	212139P	ELBOW 3/8-27-9/16-24 (PKD)
9	211832	ELECTRODE I/R BURNER
10	213784	ELECTRODE HOUSING W/A L/H
11	210721	THERMOCOUPLE 2C ROBERTSHAW 72
12	211389	ACORN NUT 10-24 SS LOCKING
13	211089	RACK ROLLER
14	211242P	MS 10-24X1/2 PHPN TY F SS (10 PK)
15	211390	ACORN NUT LOCKING 1/4-20 SS
16	211686	BULB-GE-50 PAR20
17	214373	MOTOR ASSY R/H
	224644	MOTOR ASSY L/H
18	211046	ROTISS BLOCK
19	211051	ROTISS MOUNTING ARM
21	214397	BRACKET ROTISS SUPPORT R/H
22	214398	BRACKET ROTISS SUPPORT L/H
23	213910	TUBING SAFETY VALVE TO I/R R/H
24	211001	BUTTON SAFETY VALVE
25	211050	BEZEL SAFETY VALVE
26	231442	SAFETY VALVE ELBOW ASY BGB
27	221930	TUBE 25 ID SS FLEXIBLE 7 IN
28	220574	GAS VALVE BBQ
29	210935	BEZEL, CHROME PLATED
30	211188	KNOB BGB GRILLS
31	212149	ELBOW 3/8 T.O.D. - 3/8 (F)

**NOTE:** FASTENER FOR ROTIS BLOCK USE PART # 220802 HEX BOLT AND # 237190 FLANGE BUSHING.

# SMOKER BURNER COMPONENTS

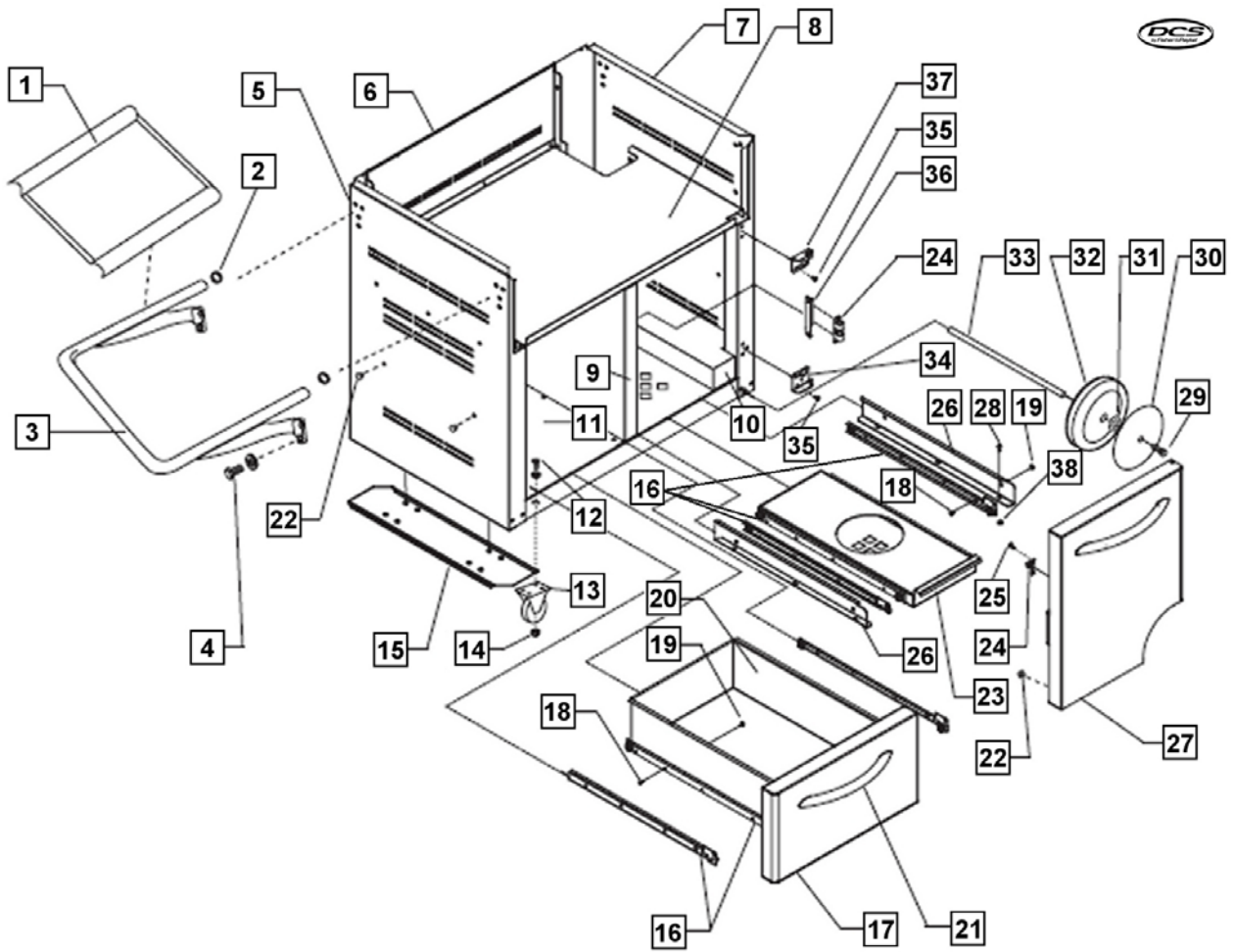


DWG000611 5 JULY 2006

**SMOKER BURNER COMPONENTS**

<b>REF</b>	<b>PART</b>	<b>DESCRIPTION</b>
1	214331	CHIP TRAY W/A
2	211242P	MS 10-24X1/2 PHPN TY F SS (10 PK)
3	213467	ASSY. WELDMENT, SMKR BRNK.
4	211834	ELECTRODE SMOKER
5	211301	MS 4-40X1/4 PH RD HD SS
6	211358	NUT HEX 4-40 SS
7	214010	HEAT SHIELD SMOKER SUPPORT
8	210734	GAS VALVE 24 & SMOKER
9	210935	BEZEL, CHROME PLATED
10	211188	KNOB BGB GRILLS

# CART COMPONENTS



DWG000612 6 JULY 2006

**CART COMPONENTS**

<b>REF</b>	<b>PART</b>	<b>DESCRIPTION</b>
1	214466	SIDE SHELF TRAY
2	211099	BLACK PLUGS
3	212287	SIDE SHELF BAR
4	211323P	HEX 1/4-20X1/2 FUL TH SS (10 PK)
5	214292	BODY SIDE PANEL L/H
6	224609	BACK CART BGA36
7	224393	BODY SIDE PANEL R/H
8	224608	DOOR HEADER BGA36
9	224610	DIVIDER CART BGA36
10	214464	SLIDE BRACKET 2
11	224615	FRAME W/A CART BGA36
12	211487	1/4-20X1/2 SS CARRIAGE BOLT
13	212142	CASTER W/O BRAKE 5
	212143	CASTER W. BRAKE 5
14	211398P	NUT HEX 1/4-20 KEPS SS (10 PK)
15	214526	CASTER STIFFENER 36/48
16	211097	MOUNT SLIDE SET
17	214363	FRONT DRAWER SKIN W/A BGA36
18	211307	MS 8-32X3/8 FL C'SUNK PH SS
19	211353	NUT HEX 8-32 LK NYLON INDT SS
20	214360	DRAWER BOX W/A BGA36 CART
21	212375	HANDLE CART BGA36/48
22	212359	RUBBER BUMPER
23	214357	TANK TRAY ASSY CART BGA36/48
24	211098	DRAWER CATCH (M22 2430)
25	211300P	SCREW 8-32X1 TORX FL HD (10 PK)
26	214290	SLIDE MOUNTING FRAME BGA R/H
	214291	SLIDE MOUNTING FRAME BGA L/H
27	214358	DOOR ASSY CART BGA36
28	211290P	MS 10-24X1/2 PH TR HD SS (PKD)
29	211314	MS 1/4-20X3/4 SS OVAL PHIL
30	214477	HUB CAP SPINING
31	211467	RETAINING RING E-STYLE 1/2 DIA
32	212303	WHEEL 8 SOLID
33	214422	AXLE ROD
34	214563	HINGE BOTTOM W/A R/H BGA CART
35	211287P	MS 10-24X3/4 PH TR HD SS (10 PK)
36	214356	CATCHER DOOR BRACKET BGA36
37	214567	HINGE TOP W/A R/H BGA
38	218150	NUT HEX 10-24 KEPS SS (PKT 10)