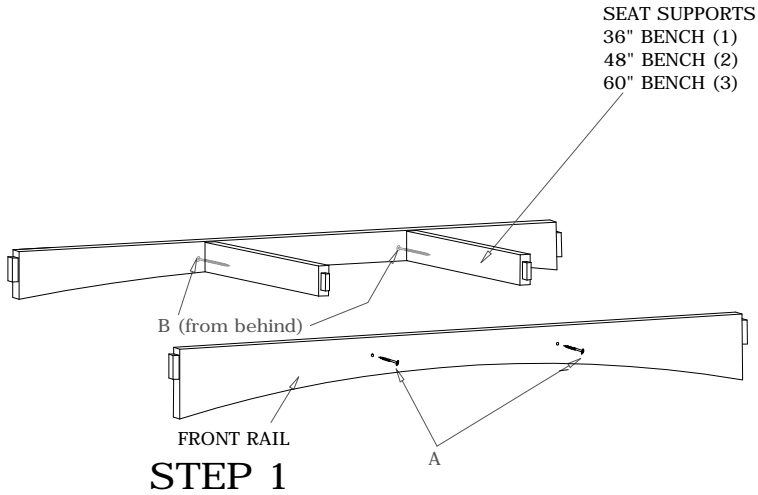


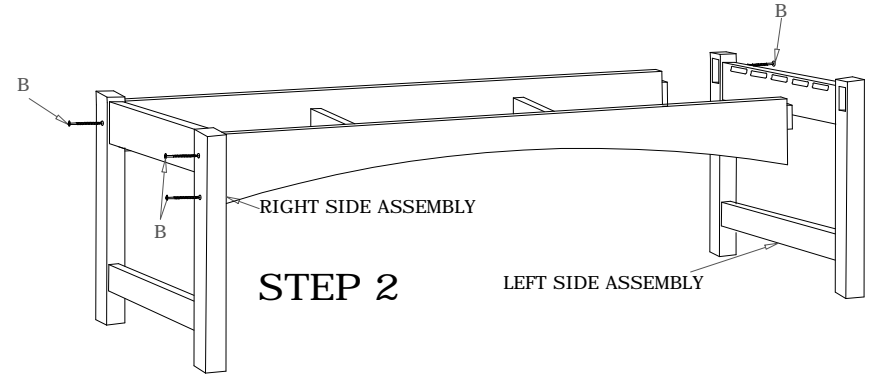
SKYLINE COFFEE TABLE

SK-0410

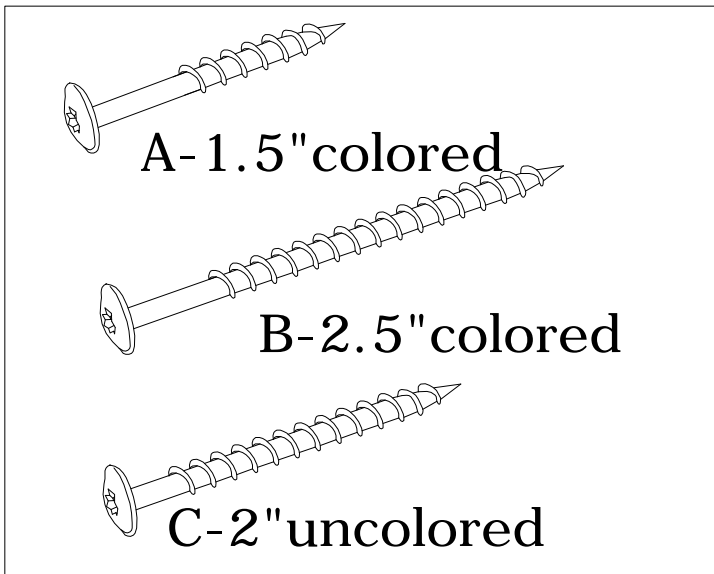
BREEZESTA tm
Recycled Poly Furniture



Place Seat Supports in place and using screws (A), attach the Rails as shown in the drawing

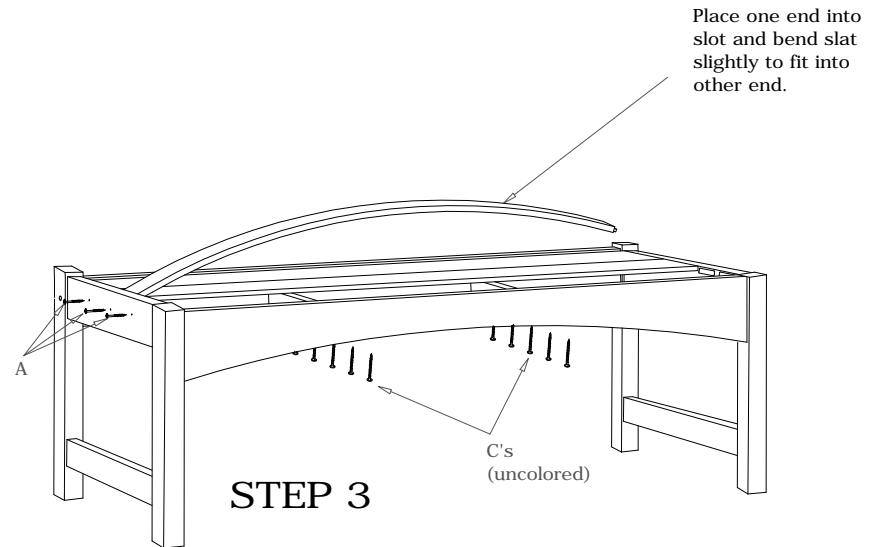


Attached Side Assemblies to Rail Assembly using screws (B) as shown.



- LIST OF PARTS
 Rails (2)
 End Assemblies (2)
 Seat Slats (5)
 Seat Supports (see chart)
 Hardware (see chart)
 Insert Bit Tool (1)

Bench Size	36"	48"	60"
Seat Supports	1	2	3
Screw "A"	8	10	12
Screw "B"	8	8	8
Screw "C"	5	10	15



Fit slats into table as shown. From the bottom side use uncolored screws (C) to secure slats. Use screws (A) to attach Side Assemblies to Slats.