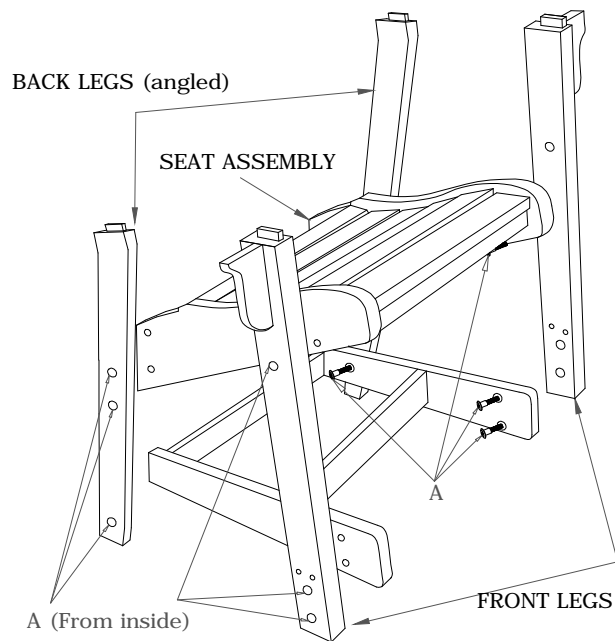


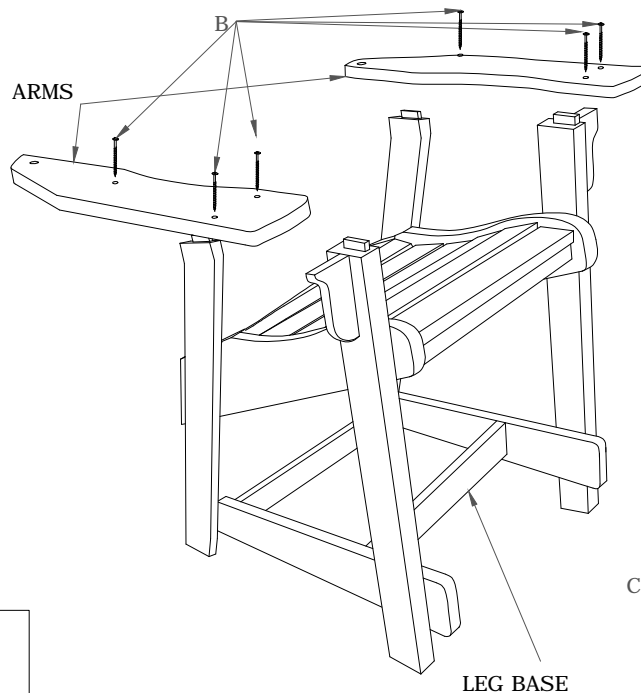
# COASTAL DINING CHAIR

## DH-0700

**BREEZESTA™**  
Recycled Poly Furniture



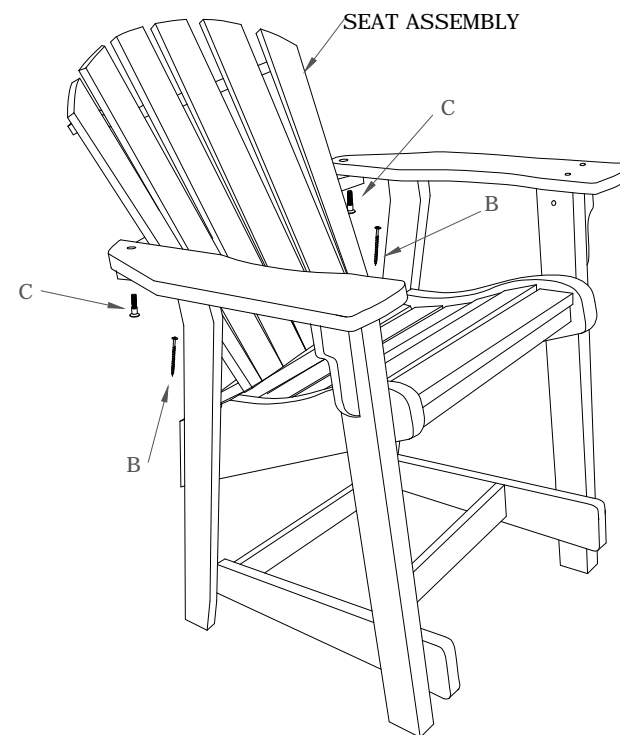
Attach front and back legs to seat and leg base assemblies.



### STEP 2

Attach arm rest and supports as shown.

- LIST OF PARTS
- Back Assembly (1)
  - Seat Assembly (1)
  - Front Legs (2)
  - Rear Legs (2)
  - Arms (1R) (1L)
  - Leg Base (1)
  - Chair Bolts "A" (12)
  - Colored Screws "B" (8)
  - Chari Bolt "C" (2)
  - Insert Bit Tool (1)



### STEP 3

Slide back onto seat and attach at seat and arm rest.

