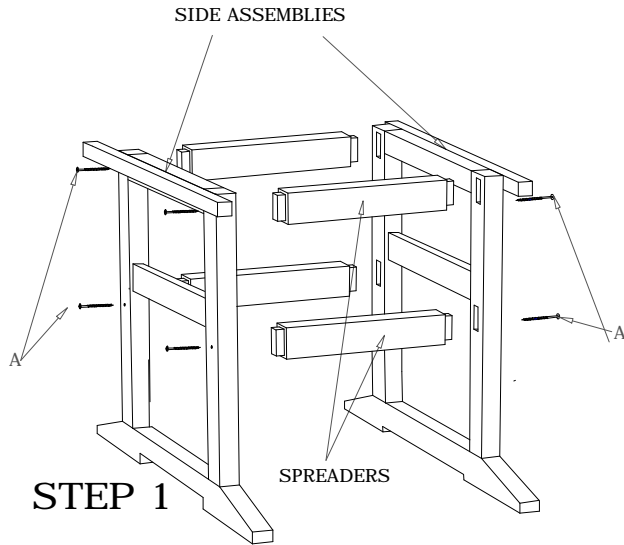


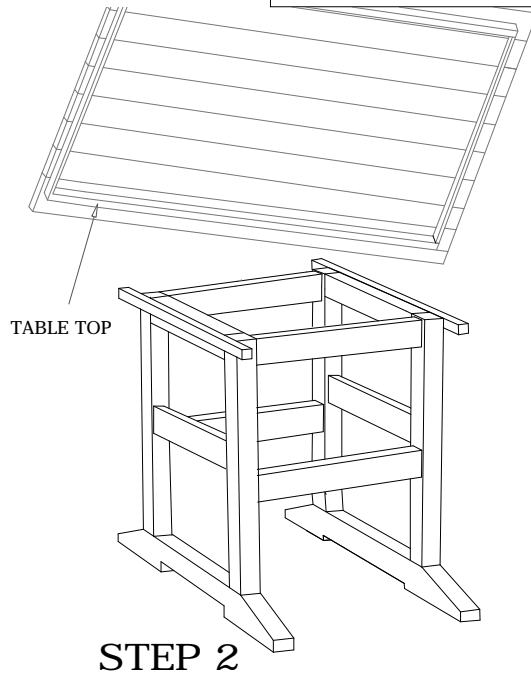
26" x 28" SQUARE DINING TABLE

DH-0705

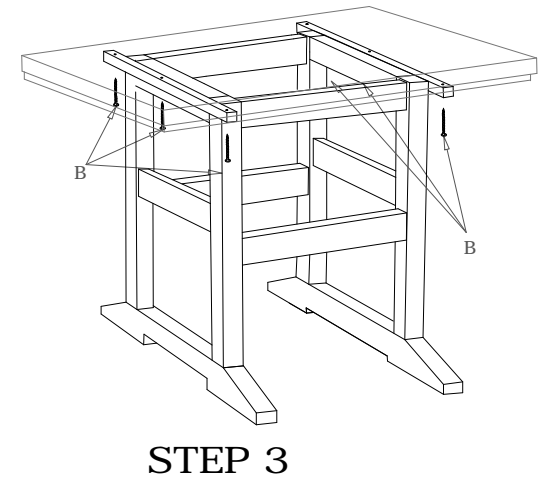
BREEZESTA tm
Recycled Poly Furniture



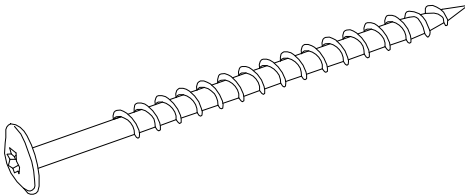
Attach Side Assemblies to Spreaders by placing the tenon into the mortise (pocket) and attaching with screws (A) as shown.



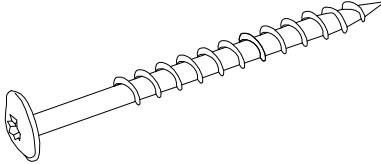
Place the table top on the base so that the table top fits with in the base as shown above



Attach Table Top to base using uncolored screws (B). From the underside screw through pre-drilled holes in the attached rail into table top.



A-2.5" (8 pcs.) colored



B-2" (6 pcs.) uncolored

LIST OF PARTS
Side Assemblies (2)
Spreaders (4)
Table Top (1)
Colored Screws "A" (8)
Un-Colored Screws "B" (6)
Insert Bit Tool (1)

