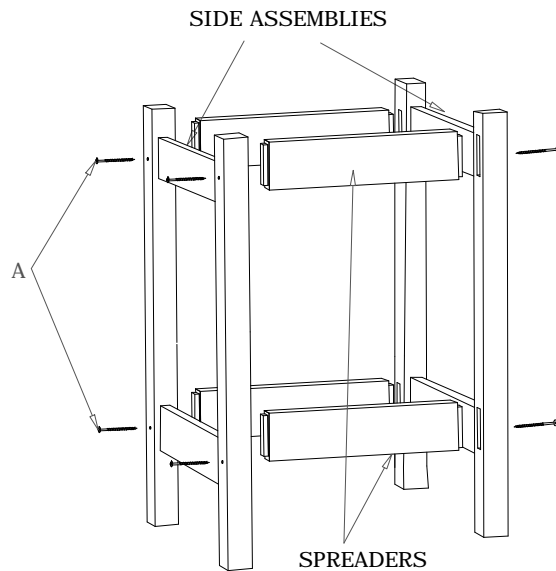


# CONTOURED SEAT COUNTER STOOL

CH-0804

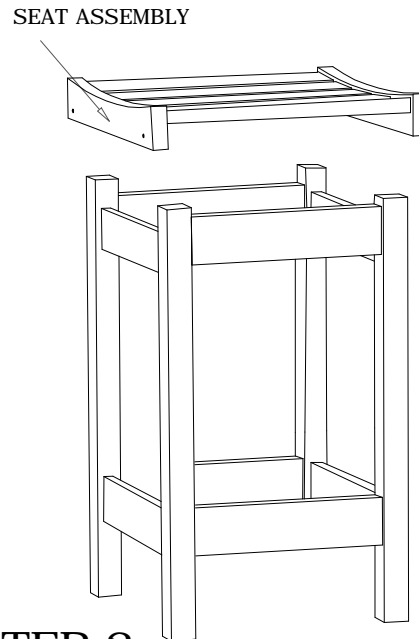
*BREEZESTA*™

Recycled Poly Furniture



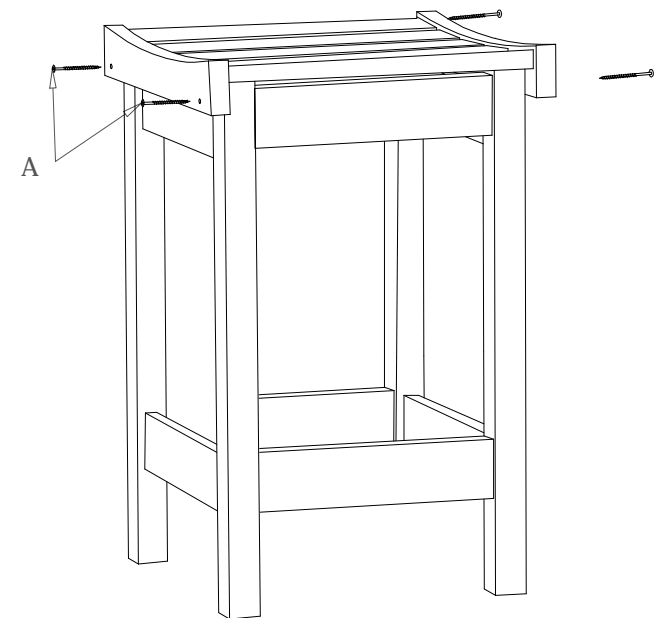
STEP 1

Attach Side Assemblies to Spreaders by placing the tenon into the mortise (pocket) and attaching with screws (A) as shown.



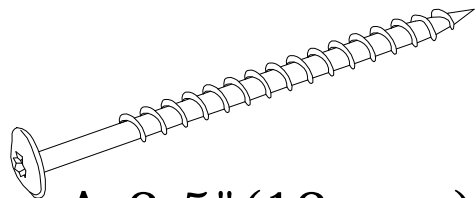
STEP 2

Place the Seat Assembly on the base so that the pre drilled holes in the seat align with the pre drilled holes in the Side Assemblies.



STEP 3

Attach the Seat Assembly to the base using screws (A).



A-2.5" (12 pcs.) colored

- LIST OF PARTS
- Side Assemblies (2)
  - Spreaders (4)
  - Seat Assembly (1)
  - Colored Screws "A" (12)
  - Insert Bit Tool (1)