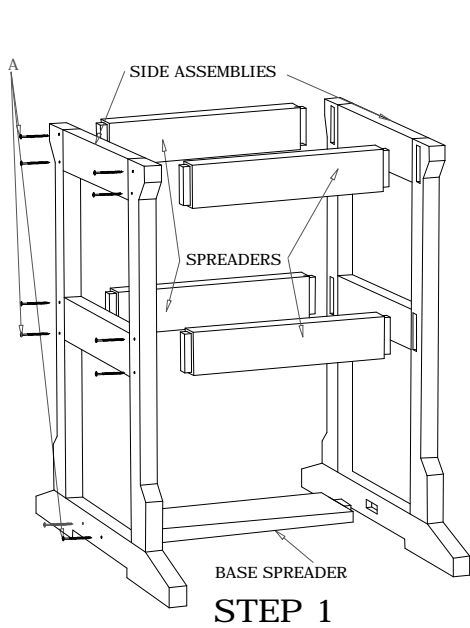


# 42"X 60" COUNTER TABLE

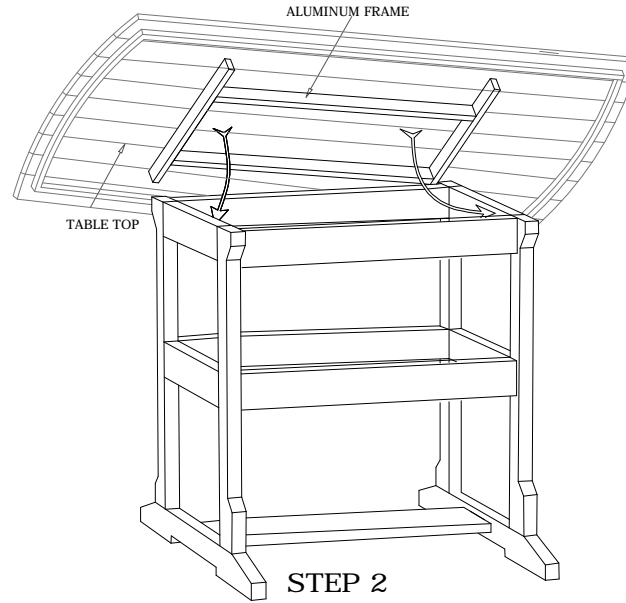
CH-0815

**BREEZESTA** tm  
Recycled Poly Furniture



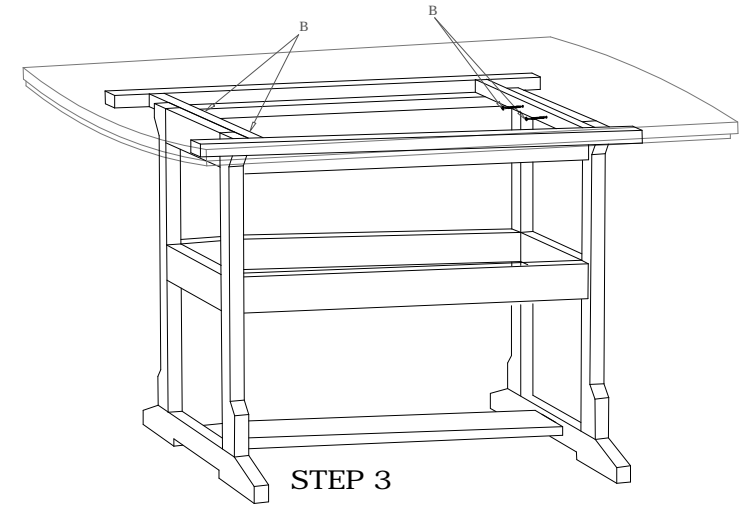
STEP 1

Attached Side Assemblies to Spreaders by placing the tenon into the mortise (pocket) and attaching with screws (B) as shown.



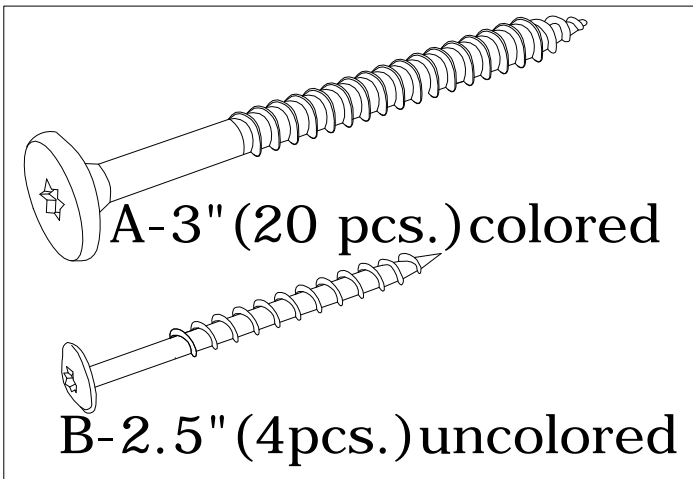
STEP 2

Place the table top on the base so that the aluminum frame on the table top fits within the base as shown above



STEP 3

Attach Table Top to base using uncolored screws (B). From the underside screw through pre-drilled holes in the aluminum frame into base assembly.



- LIST OF PARTS
- Side Assemblies (2)
  - Spreaders (4)
  - Base Spreader (1)
  - Table Top (1)
  - Colored Screws "A" (20)
  - Un-Colored Screws "B" (4)
  - Insert Bit Tool (1)

