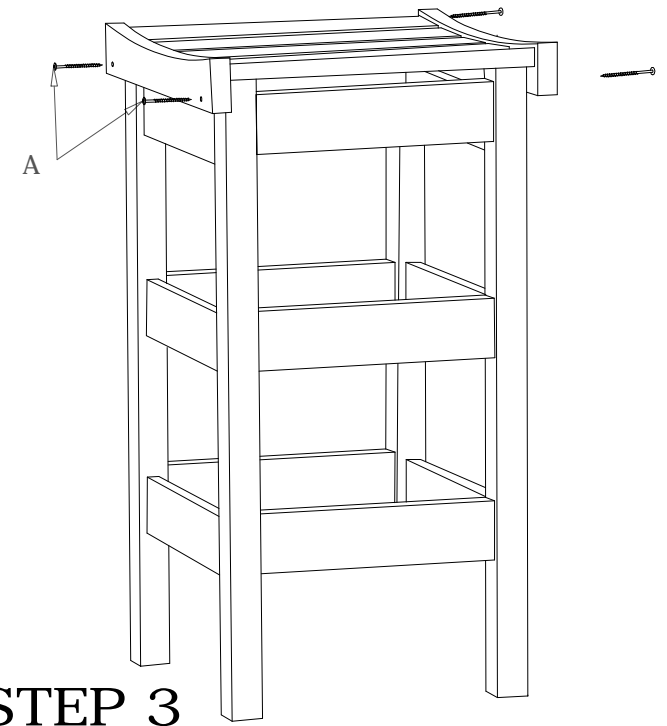
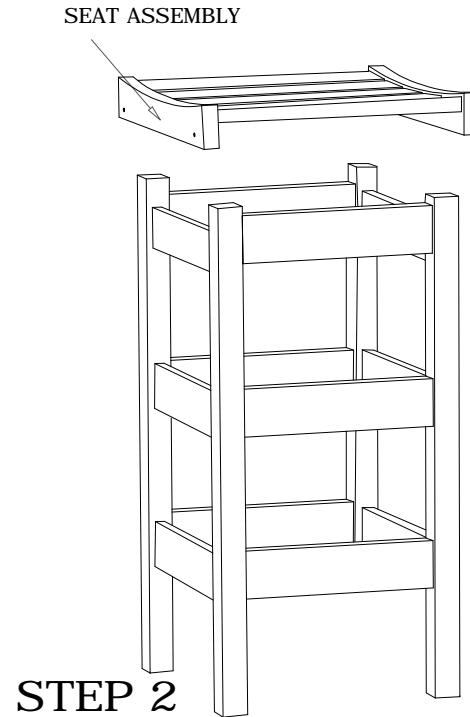
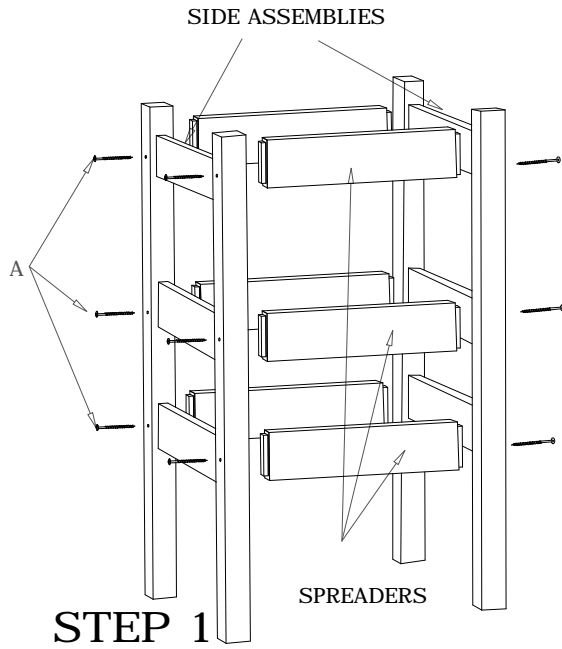


CONTOURED SEAT BAR STOOL

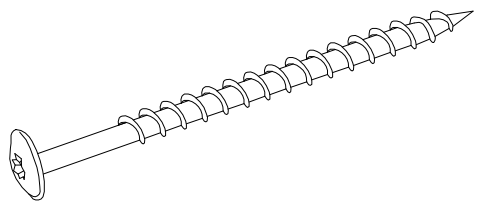
BH-0904

BREEZESTA tm
Recycled Poly Furniture



Attach Side Assemblies to Spreaders by placing the tenon into the mortise (pocket) and attaching with screws (A) as shown.

Place the Seat Assembly on the base so that the pre drilled holes in the seat align with the pre drilled holes in the Side Assemblies.



A-2.5" (16 pcs.) colored

LIST OF PARTS
Side Assemblies (2)
Spreaders (6)
Seat Assembly (1)
Colored Screws "A" (16)
Insert Bit Tool (1)

Attach the Seat Assembly to the base using screws (A).