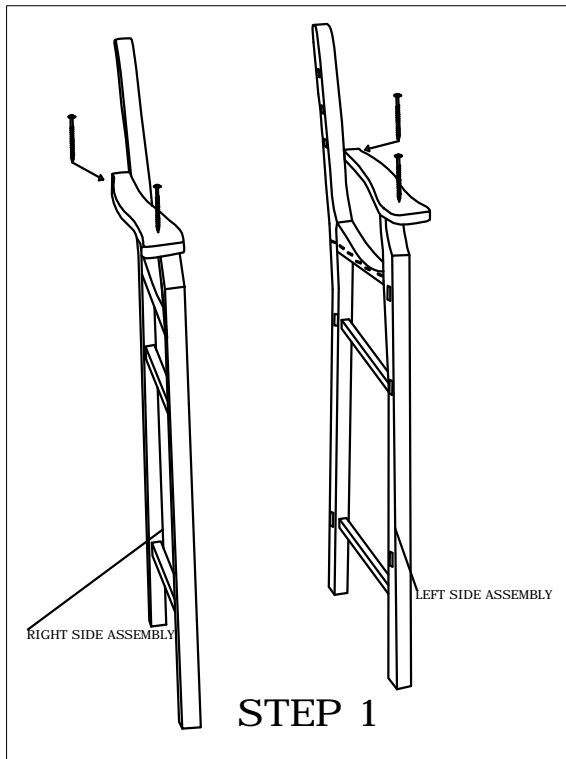


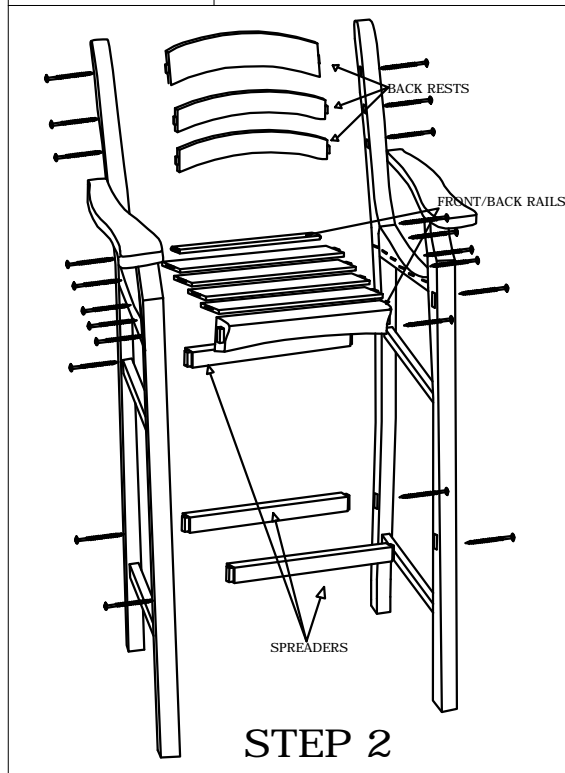
AVANTI BAR ARM CHAIR

BREEZESTAtm Recycled Poly Furniture

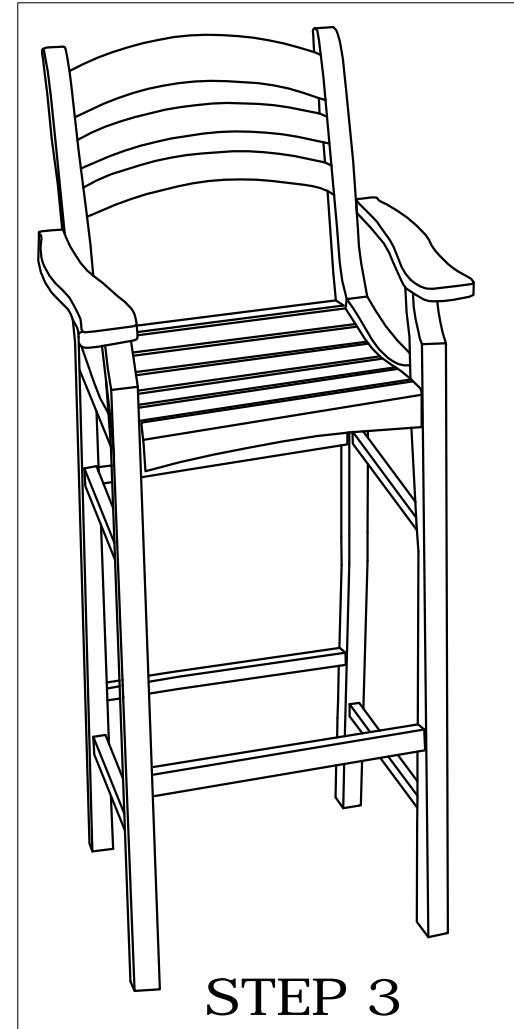
AV-0605



Step 1. Align right and left side assemblies as shown, and attach arms.



Step 2. Place spreaders into mortise (pocket) inside assemblies as shown. Loosely attach with screws "A." Follow this procedure with rails and slats, followed by back rests.



LIST OF PARTS

- Right Side (1)
- Left Side (1)
- Slats (5)
- Spreaders (3)
- Arms (1R) (1L)
- Front Rail (1)
- Back Rail (1)
- Back Rests (3)
- Colored Screws "A" (26)
- Insert Bit Tool (1)

