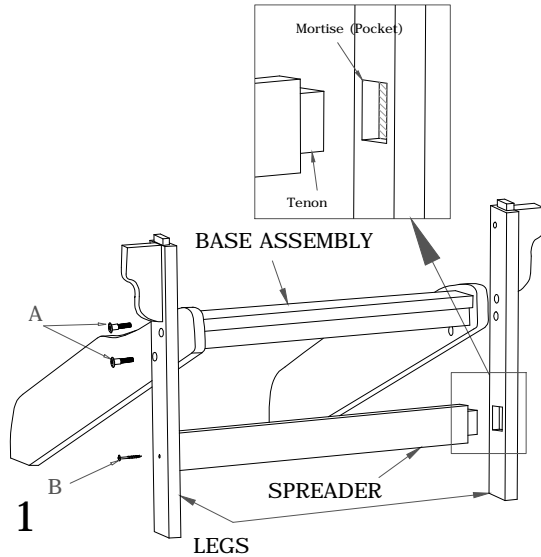


COASTAL ADIRONDACK CHAIR

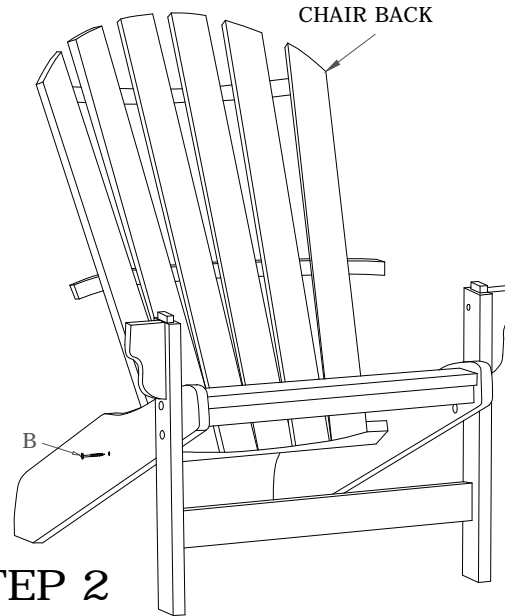
AD-0102

BREEZESTA tm
Recycled Poly Furniture



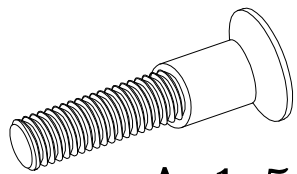
STEP 1

Attach Spreader tenon into mortise (pocket) on Leg Assemblies and attach with screws (B) as shown. Bolt legs to Base Assembly using bolts (A).

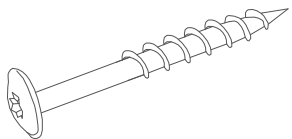


STEP 2

Tenons on the Back Assembly will fit into mortise (pocket) in Base Assembly. Attach with Screws (B) as shown.

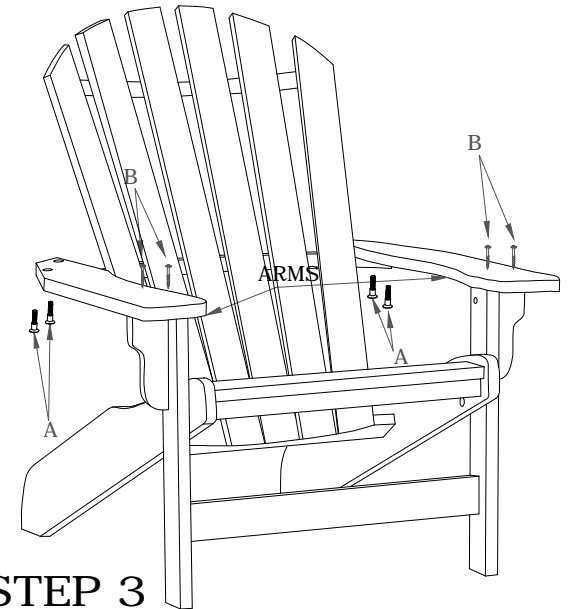


A-1.5" (8 pcs.)



B-1.5" (8 pcs.) painted

- LIST OF PARTS
 Back Assembly (1)
 Base Assembly (1)
 Leg Assemblies (2)
 Spreader (1)
 Arms (1R) (1L)
 Chair Bolts "A" (8)
 Colored Screws "B" (8)
 Insert Bit Tool (1)



STEP 3

Attach Arms to front Legs from the top using screws (B). Bolt Arm Assemblies to Back Assembly using Bolts (A) as shown.